

## FXB3U-70 MCB Specifications

### UL 489 Product Features:

- ◇ UL 489 listed full line of miniature circuit breakers
- ◇ The voltage is 120/240Vac, which meets the standard 10kA breaking current
- ◇ Suitable for protection of main circuit devices
- ◇ Contact position indication (red or green)
- ◇ Main circuit or branch protection



### Certifications/Standards:

- ◇ UL 489



### Product features:

Special equipment and rail transit

Wire temperature rating of 60/75°C Cu wire only

The incoming cable is a plug-in terminal, and the outgoing cable is a tunnel terminal

### Product Model:

	FX	B3U	-70	D	70	/2
Company Code						
Model:	UL 3 Series MCB					
Frame size:	70					
Tripping Curve:	D: Type D Curves 8In~20In					
Rated current(A):	10: 10A 15: 15A 20: 20A 25: 25A 30: 30A 35: 35A 40: 40A 45: 45A 50: 50A 60: 60A 70: 70A					
Pole	1: 1P 2: 2P 3: 3P 4: 4P					

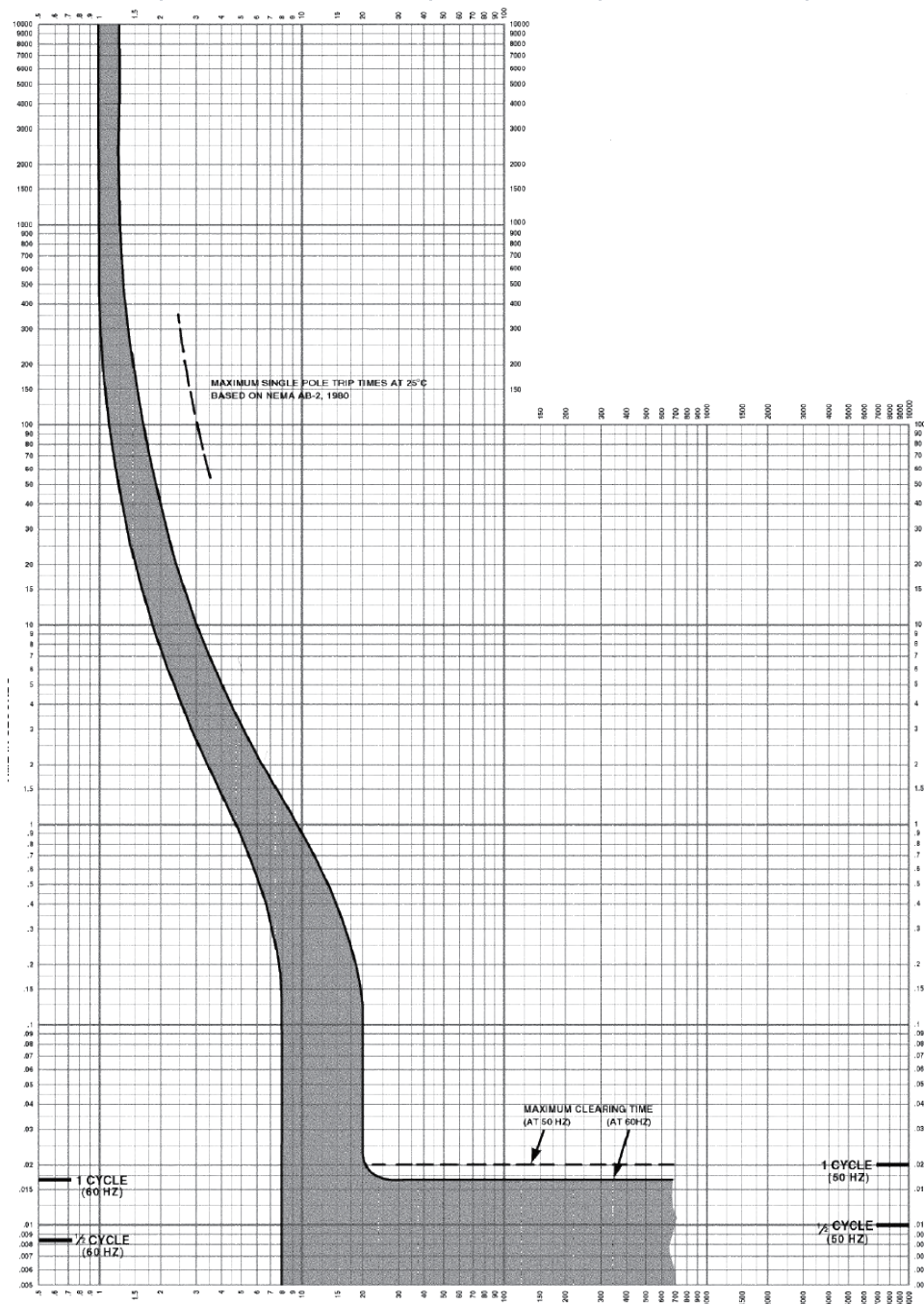
CHARACTERISTICPARAMETERS				
Pole	1 Pole	2 Poles	3 Poles	4 Poles
Applicable standards	UL 489			
Rated Current(A)	10~70A			
Rated Voltage (V)	120/240		120/240	
Rated Frequency(Hz)	50/60			
Tripping Characteristics	D(8In~20In)			
Tripping Type	Thermal Magnetic			
Protection Degree	IP30			
Electrical Life	6000			
Mechanical Life	10000			
Rated Insulation Voltage (Vac)	1000			
Rated Impulse Withstand Voltage (kV)	6			
Rated Short-circuit Current(kA)	10			
Operating Temperature Range	25℃ ~ +40℃ (Reference temperature30℃)			
Pollution Level	Class III			
Elevation ft (m)	Not exceeding 6,561 (2,000)			
Air Relative Humidity	20℃: ≤ 90%,40℃: ≤ 50%			
Conducting Wire(mm2)	14~4 ( 2~25 mm <sup>2</sup> 3.5N.m)			
Installation	35mm DIN Rail mounting, optional feet can be bottom mounted or surface mounted			

FXB3U-70 Rated Current	1Pole-120/240Vac		2Pole-120/240Vac		3Pole-120/240Vac		4Pole-120/240Vac	
	Product	Part Number	Product	Part Number	Product	Part Number	Product	Part Number
10	FXB3U70D10/1	FX40101V090	FXB3U70D10/2	FX40102V101	FXB3U70D10/3	FX40103V101	FXB3U70D10/4	FX40104V078
15	FXB3U70D15/1	FX40101V091	FXB3U70D15/2	FX40102V102	FXB3U70D15/3	FX40103V102	FXB3U70D15/4	FX40104V079
20	FXB3U70D20/1	FX40101V092	FXB3U70D20/2	FX40102V103	FXB3U70D20/3	FX40103V103	FXB3U70D20/4	FX40104V080
25	FXB3U70D25/1	FX40101V093	FXB3U70D25/2	FX40102V104	FXB3U70D25/3	FX40103V104	FXB3U70D25/4	FX40104V081
30	FXB3U70D30/1	FX40101V094	FXB3U70D30/2	FX40102V105	FXB3U70D30/3	FX40103V105	FXB3U70D30/4	FX40104V082
35	FXB3U70D35/1	FX40101V095	FXB3U70D35/2	FX40102V106	FXB3U70D35/3	FX40103V106	FXB3U70D35/4	FX40104V083
40	FXB3U70D40/1	FX40101V096	FXB3U70D40/2	FX40102V107	FXB3U70D40/3	FX40103V107	FXB3U70D40/4	FX40104V084
45	FXB3U70D45/1	FX40101V097	FXB3U70D45/2	FX40102V108	FXB3U70D45/3	FX40103V108	FXB3U70D45/4	FX40104V085
50	FXB3U70D50/1	FX40101V098	FXB3U70D50/2	FX40102V109	FXB3U70D50/3	FX40103V109	FXB3U70D50/4	FX40104V086
60	FXB3U70D60/1	FX40101V099	FXB3U70D60/2	FX40102V110	FXB3U70D60/3	FX40103V110	FXB3U70D60/4	FX40104V087

Table (1) UL Interrupting Rating

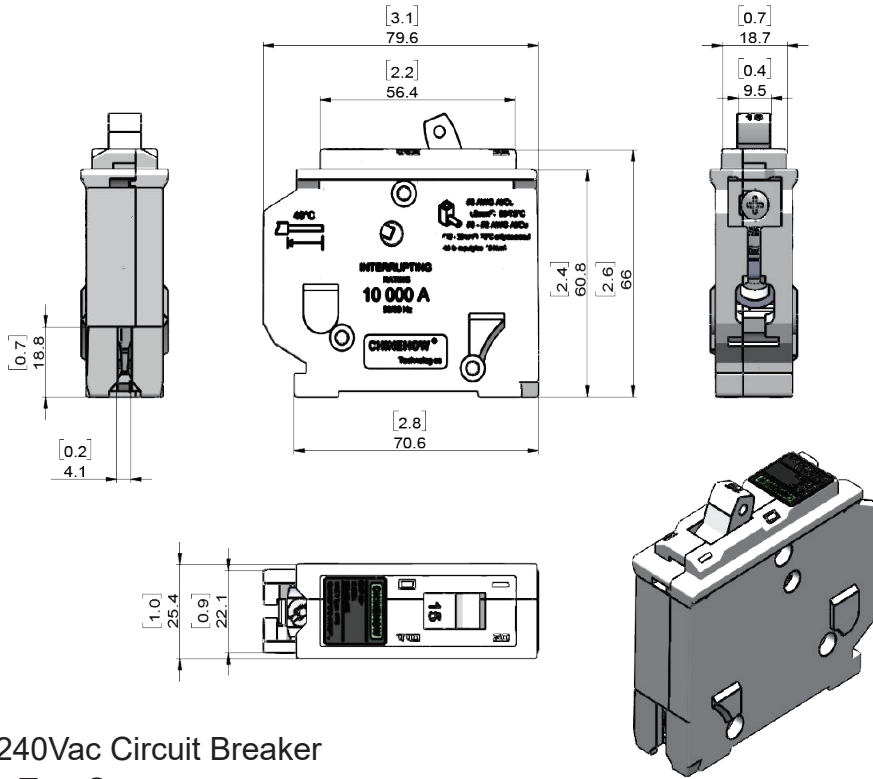
Circuit Breaker Type	No. of poles	Ampere Rating	AC Volts	
			120/240V	120/240V
FXB3U-70	1	10~70	10kA	NA
	2	10~70	10kA	NA
	3	10~70	NA	10kA
	4	10~70	NA	10kA

AC TRIPPING CURVES

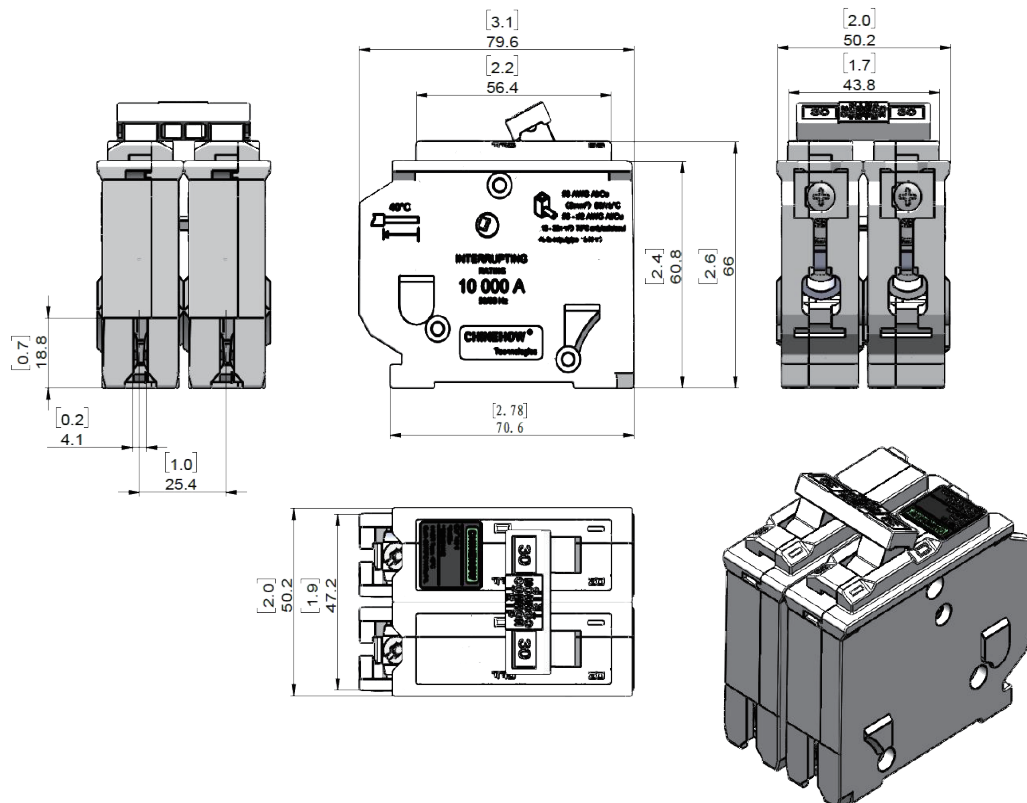


## Dimensions (mm[inch])

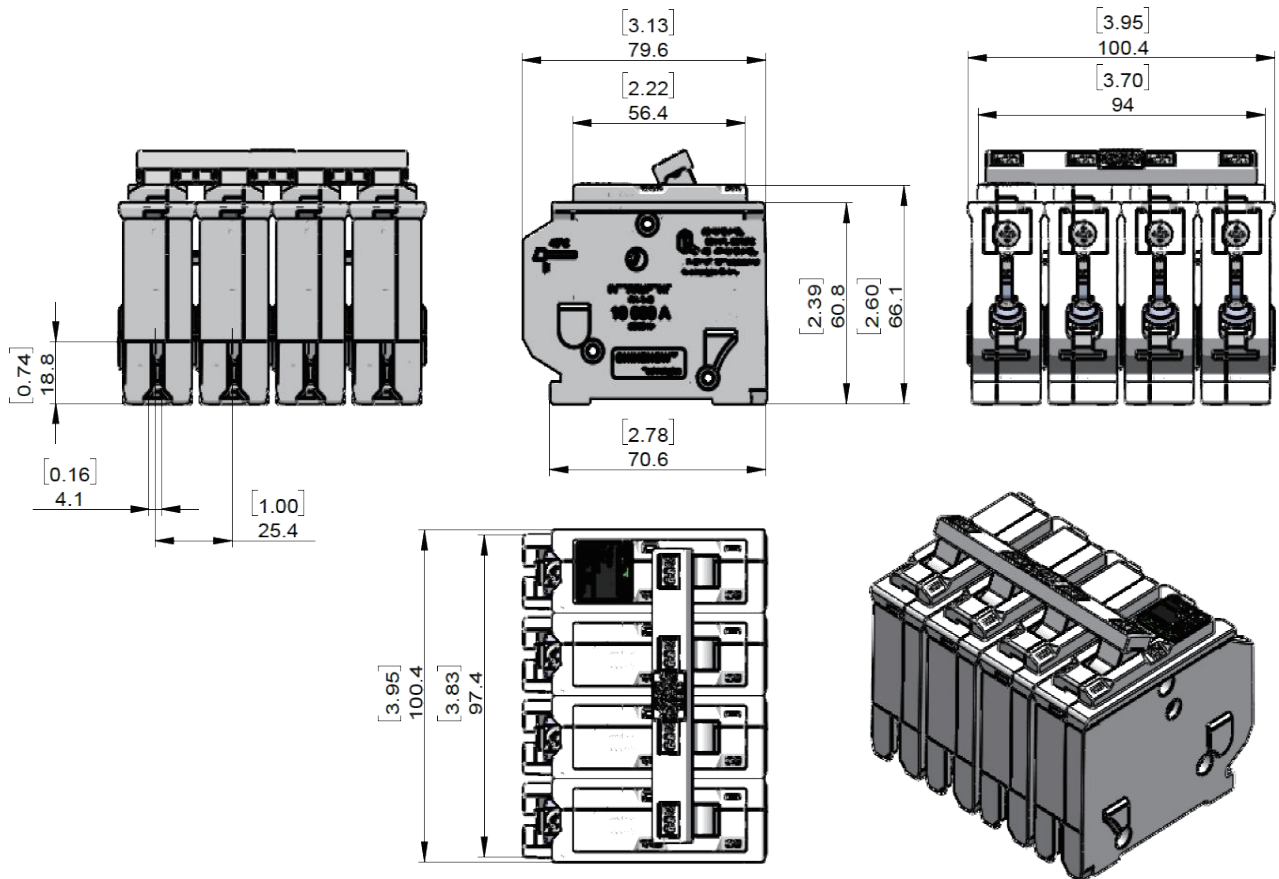
1P-120Vac Circuit Breaker  
Requires Single Space



2P-120/240Vac Circuit Breaker  
Requires Two Space



## 120/240Vac Circuit Breaker Requires Four Space



## Precautions

- The wiring must be reliable to prevent the circuit breaker from malfunctioning due to abnormal heating of the terminal or causing the terminal to burn.
- The nut wiring specification of this product is 14-4AWG, and the tightening torque during installation is 3.5 N.m
- For multi-pole products, the handle should be operated in the middle position, and the time should be less than 1s when the product is normally opened and closed.